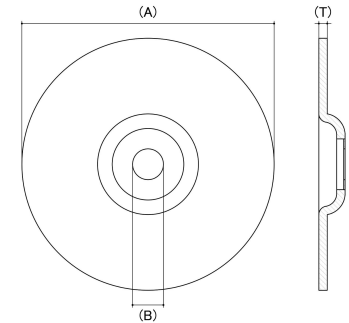


Grinding Disc A24

Country Of Origin: Germany / EU

Brand: Klingspor

Application: Metals



CAD drawings shown for graphic representation only.*

Size (A) (mm)	Thickness (T) (mm)	Bore (B) (mm)	Max Operating Speed	sku (qfind)
	Nom	Nom		
100	6.00	16.00	80 m/s	16GD100616A24
115	6.00	22.20	80 m/s	16GD11562223A24
125	6.00	22.20	80 m/s	16GD12562223A24
230	6.00	22.20	80 m/s	16GD12562223A30M
180	6.00	22.20	80 m/s	16GD18062223A24
230	6.00	22.20	80 m/s	16GD23062223A24

Disclaimer:

Dimensional data and technical information was obtained from publically available sources and not acquired through standard agencies. It has been completed and compiled for reference purposes only, where discrepancies are found they are subject to change without notice. Bolt & Nut Australia makes no warranties or representations regarding the accuracy and validity of the compiled information and data. Contact the relevant standard authorities for accurate and detailed information.

* CAD drawings may not reflect diameter, thread length or overall length.

© Bolt & Nut Australia Pty Ltd. All rights reserved.

Version: 18 Mar 2024